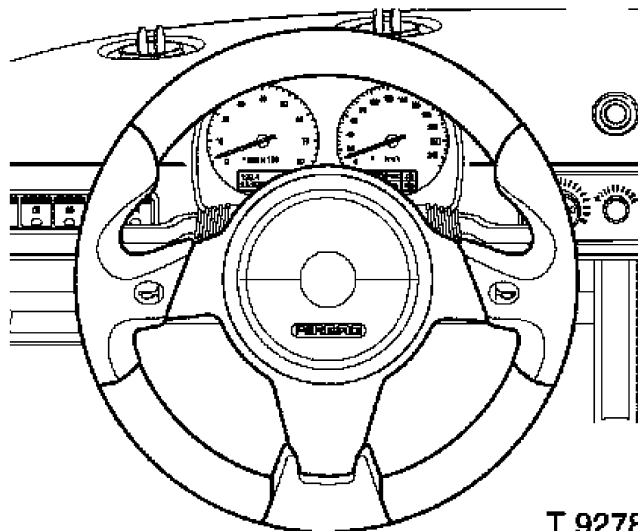


Steering Wheel

A three-spoke steering wheel is installed.

The centre of the steering wheel accommodates the driver's airbag.



T 9278